




Q-TEK
Solid Surface




5 YEARS
GUARANTEE




Resistant to hydrolisis




High Coating resistance.



SUPERIOR HARDNES
coating.



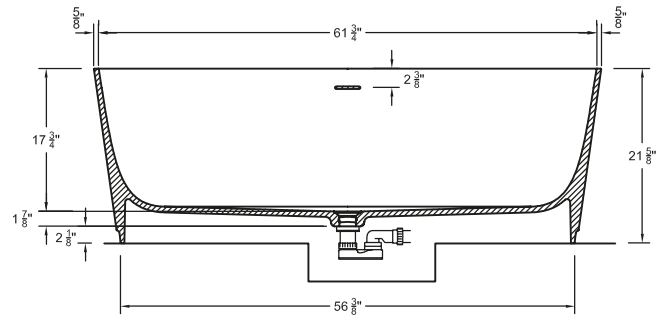
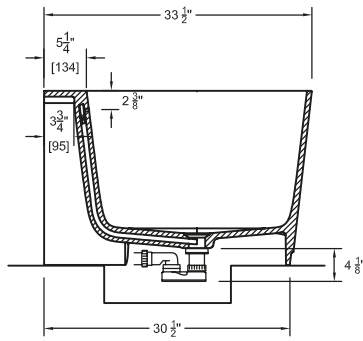
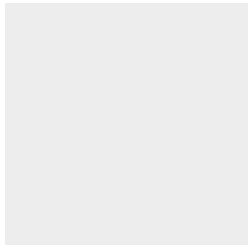
Anti-bacterial treatment



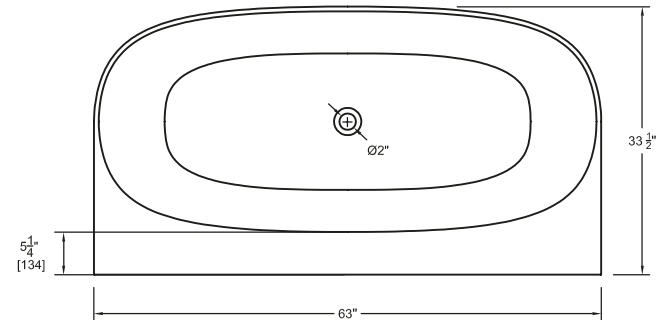
Consult installation
manual.

Technical specifications are subject to change without notice. Dimensional tolerances +/- 3/16"

LISO
63" x 33 1/2"



TEXTURE	Lb	Gal	In
LISO	192	81	63" x 33 1/2"



COLOUR OPTIONS



SUPER WHITE



BI-COLOURED



SOLID COLOUR

STANDARD COLOURS



ACCESSORIES

DRAIN COVER MADE OF THE SAME MATERIAL AND COLOR INCLUDED

