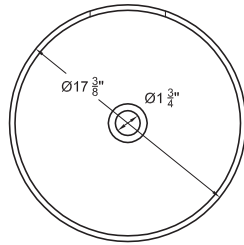
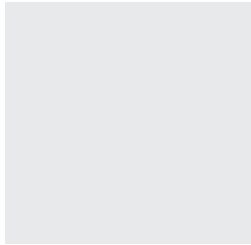




LISO
Ø 17 3/8"
h 34 1/4"



Q-TEK
Solid Surface

5 YEARS
GUARANTEE

Resistant to hydrolysis

High Coating resistance.

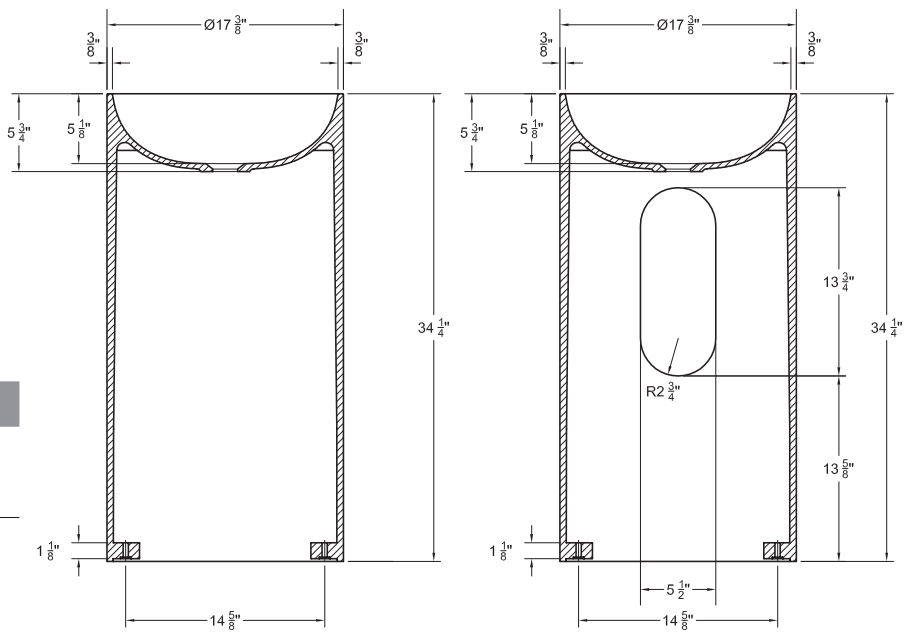
SUPERIOR HARDNES
coating.

Anti-bacterial treatment

Consult installation
manual.

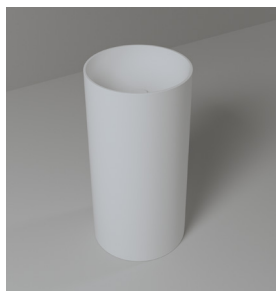
Technical specifications are subject to change without notice. Dimensional tolerances +/- 3/16"

FOR WALL INSTALLATION



SHAPE	TEXTURE	LB	INCHES
FREESTANDING	LISO	73	Ø 17 3/8" h 34 1/4"
FOR WALL INSTALLATION	LISO	73	Ø 17 3/8" h 34 1/4"

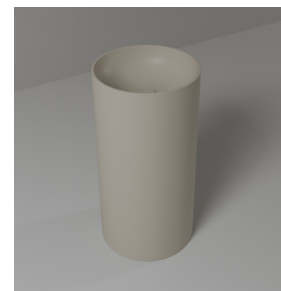
COLOUR OPTIONS



SUPER WHITE



BI-COLOURED



SOLID COLOUR

STANDARD COLOURS



RAL



NCS



ACCESSORIES

CLIC-CLAC DRAIN WITH PLUG MADE OF THE SAME MATERIAL AND COLOR INCLUDED

