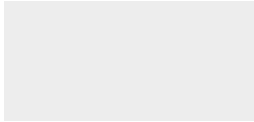




**LISO**  
A 28 3/4" - 78 3/4"  
B 19 1/4" - 23 5/8"



Resin+Mineral fillers+Coating



Resistant to hydrolysis



High Coating resistance.



SUPERIOR HARDNESS coating



Anti-bacterial treatment



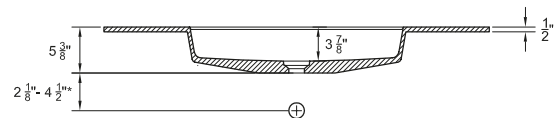
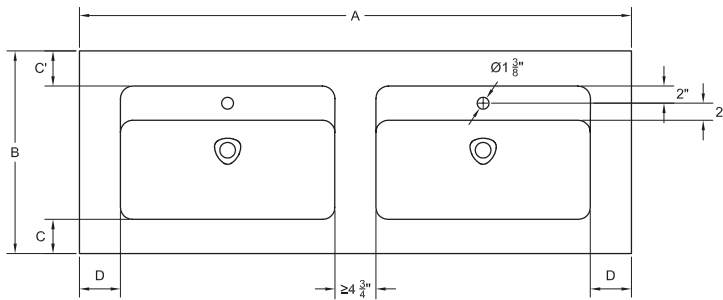
Consult installation manual.



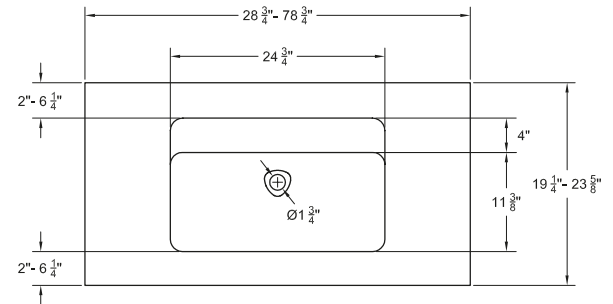
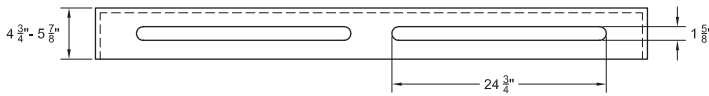
Cut to size

Sinks are in compliance with the CSA B45.5-22/IAPMO Z124-2022 standard. Mass Code Approved.

Technical specifications are subject to change without notice. Dimensional tolerances +/- 3/16"



\* Dimensions for Quare syphon



Inches	1 BASIN		2 Vessel sinks		1 BASIN		2 Vessel sinks	
	FOR FURNITURE				FOR WALL			
	No faucet hole	With faucet hole	No faucet hole	With faucet hole	No faucet hole	With faucet hole	No faucet hole	With faucet hole
A	28 3/4"-78 3/4"	28 3/4"-78 3/4"	58 1/4"-78 3/4"	58 1/4"-78 3/4"	30 3/8"-78 3/4"	30 3/8"-78 3/4"	59 3/4"-78 3/4"	59 3/4"-78 3/4"
B	19 1/4"-23 5/8"	19 1/4"-23 5/8"	19 1/4"-23 5/8"	19 1/4"-23 5/8"	19 1/4"-23 5/8"	19 1/4"-23 5/8"	19 1/4"-23 5/8"	19 1/4"-23 5/8"
C	2"-6 1/4"	2"-6 1/4"	2"-6 1/4"	2"-6 1/4"	2"-6 1/4"	2"-6 1/4"	2"-6 1/4"	2"-6 1/4"
C'	2"-6 1/4"	2"-6 1/4"	2"-6 1/4"	2"-6 1/4"	2"-6 1/4"	2"-6 1/4"	2"-6 1/4"	2"-6 1/4"
C+C'	3 7/8"-8 1/4"	3 7/8"-8 1/4"	3 7/8"-8 1/4"	3 7/8"-8 1/4"	3 7/8"-8 1/4"	3 7/8"-8 1/4"	3 7/8"-8 1/4"	3 7/8"-8 1/4"
D	≥2"	≥2"	≥2"	≥2"	≥2 3/4"	≥2 3/4"	≥2 3/4"	≥2 3/4"

lb/in	FOR FURNITURE	FOR WALL
1 SINK	1,3	1,6
2 SINKS	1,7	2

### STANDARD COLORS



### SPECIAL COLORS



### RAL



### NCS



### ACCESSORIES

POP-UP / LOCK DRAIN AND WASTE COVER ORION



POP-UP / LOCK DRAIN AND DRAIN COVER ORION INCLUDED

### Backsplash - Sidesplash



Supplied with silicone cartridge in the same color as the sink in standard and special colors. No RAL available.

Thickness 9/16"

Height 3/8" - 13 3/4"

FAUCET HOLE AND OVERFLOW AVAILABLE ON REQUEST WITH NO EXTRA COST

### Towel rack

In option



WALL BRACKETS AND FIXINGS INCLUDED