




Q-TEK
Solid Surface




5
YEARS
GUARANTEE




Resistant to hydrolysis




High Coating resistance.



SUPERIOR HARDNES
coating.



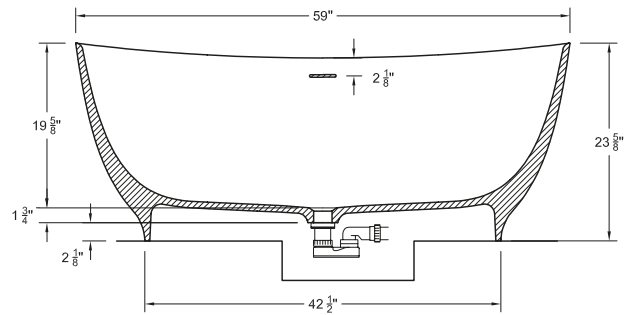
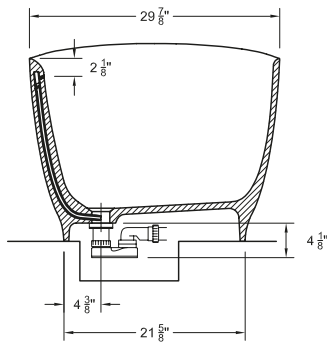
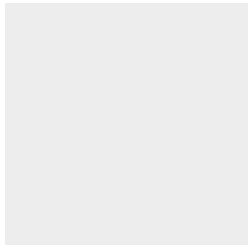
Anti-bacterial treatment



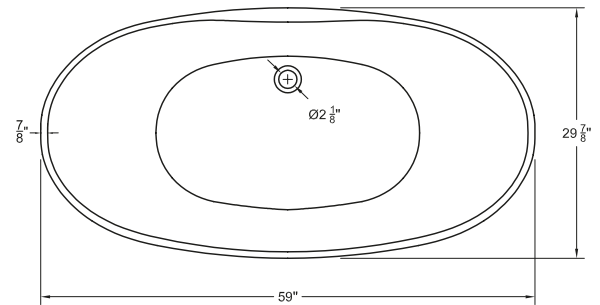
Consult installation
manual.

Technical specifications are subject to change without notice. Dimensional tolerances +/- 3/16"

LISO
59" x 29 7/8"



TEXTURE	LB	GAL	INCHES
LISO	202	69	59" x 29 7/8"



COLOUR OPTIONS



SUPER WHITE



BI-COLOURED



SOLID COLOUR

STANDARD COLOURS



ACCESSORIES

DRAIN COVER MADE OF THE SAME MATERIAL AND COLOR INCLUDED

