



PIZARRA | LISO
A 29 1/2" - 78 3/4"
B 15 3/4" - 23 5/8"



Resin+Mineral fillers+Coating



Resistant to hydrolysis



High Coating resistance.



SUPERIOR HARDNESS coating



Anti-bacterial treatment



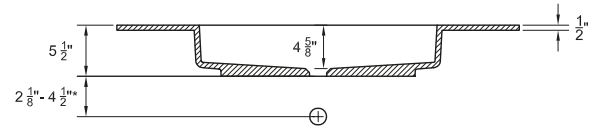
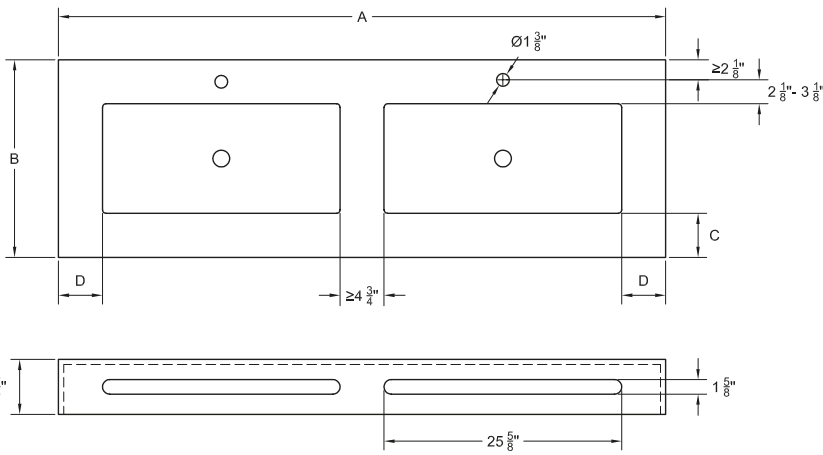
Consult installation manual.



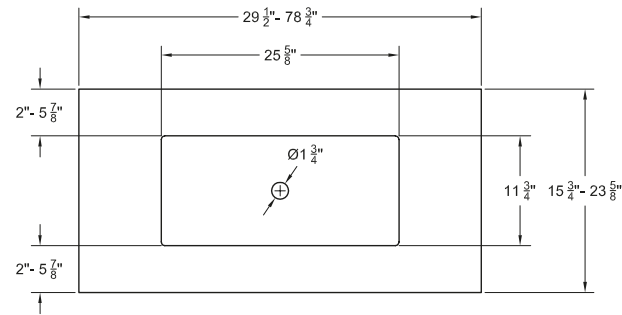
Cut to size

Sinks are in compliance with the CSA B45.5-22/IAPMO Z124-2022 standard. Mass Code Approved.

Technical specifications are subject to change without notice. Dimensional tolerances +/- 3/16"



* Dimensions for Quare syphon



Inches	1 BASIN		2 Vessel sinks		1 BASIN		2 Vessel sinks	
	FOR FURNITURE				FOR WALL			
	No faucet hole	With faucet hole	No faucet hole	With faucet hole	No faucet hole	With faucet hole	No faucet hole	With faucet hole
A	29 1/2" - 78 3/4"	29 1/2" - 78 3/4"	59 7/8" - 78 3/4"	59 7/8" - 78 3/4"	31 1/8" - 78 3/4"	31 1/8" - 78 3/4"	61 3/8" - 78 3/4"	61 3/8" - 78 3/4"
B	15 3/4" - 23 5/8"	18 1/8" - 23 5/8"	15 3/4" - 23 5/8"	18 1/8" - 23 5/8"	15 3/4" - 23 5/8"	18 1/8" - 23 5/8"	15 3/4" - 23 5/8"	18 1/8" - 23 5/8"
C	2" - 5 7/8"	≥ 2"	2" - 5 7/8"	≥ 2"	2" - 5 7/8"	≥ 2"	2" - 5 7/8"	≥ 2"
D	≥ 2"	≥ 2"	≥ 2"	≥ 2"	≥ 2 3/4"	≥ 2 3/4"	≥ 2 3/4"	≥ 2 3/4"

lb/in	FOR FURNITURE	FOR WALL
1 SINK	1,3	1,6
2 SINKS	1,8	2

STANDARD COLORS



SPECIAL COLORS



RAL



NCS



ACCESSORIES

POP-UP / LOCK DRAIN



With brass drain cover, in colour

COLORED POP-UP / LOCK DRAIN DRAIN INCLUDED

Backsplash



Supplied with silicone cartridge in the same color as the sink in standard and special colors. No RAL available.

Thickness 9/16"

Height 3/8" - 13 3/4"

Towel rack

In option



FAUCET HOLE AND OVERFLOW AVAILABLE ON REQUEST WITH NO EXTRA COST

WALL BRACKETS AND FIXINGS INCLUDED