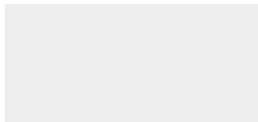




PIZARRA | LISO

A 23 5/8" - 78 3/4"

B 15 3/4" - 23 5/8"



Resin+Mineral fillers+Coating



Resistant to hydrolysis



High Coating resistance.



SUPERIOR HARDNESS coating



Anti-bacterial treatment



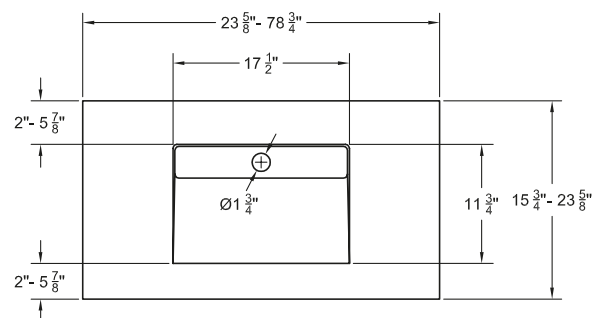
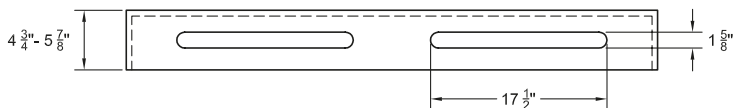
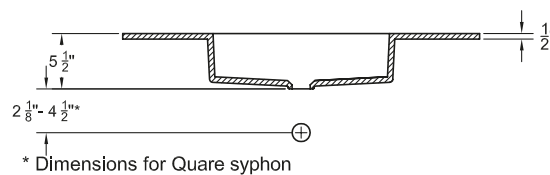
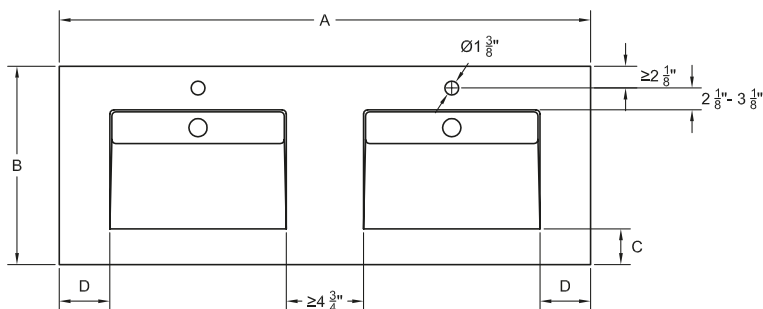
Consult installation manual.



Cut to size

Sinks are in compliance with the CSA B45.5-22/IAPMO Z124-2022 standard. Mass Code Approved.

Technical specifications are subject to change without notice. Dimensional tolerances +/- 3/16"



| inches | 1 BASIN | | | | 2 Vessel sinks | | | |
|--------|-------------------|-------------------|-------------------|-------------------|-------------------|-------------------|-------------------|-------------------|
| | FOR FURNITURE | | | | | | | |
| | No faucet hole | With faucet hole | No faucet hole | With faucet hole | No faucet hole | With faucet hole | No faucet hole | With faucet hole |
| A | 23 5/8" - 78 3/4" | 23 5/8" - 78 3/4" | 43 3/4" - 78 3/4" | 43 3/4" - 78 3/4" | 23 5/8" - 78 3/4" | 23 5/8" - 78 3/4" | 45 1/8" - 78 3/4" | 45 1/8" - 78 3/4" |
| B | 15 3/4" - 23 5/8" | 18 1/8" - 23 5/8" | 15 3/4" - 23 5/8" | 18 1/8" - 23 5/8" | 15 3/4" - 23 5/8" | 18 1/8" - 23 5/8" | 15 3/4" - 23 5/8" | 18 1/8" - 23 5/8" |
| C | 2" - 5 7/8" | ≥ 2" | 2" - 5 7/8" | ≥ 2" | 2" - 5 7/8" | ≥ 2" | 2" - 5 7/8" | ≥ 2" |
| D | ≥ 2" | ≥ 2" | ≥ 2" | ≥ 2" | ≥ 2 3/4" | ≥ 2 3/4" | ≥ 2 3/4" | ≥ 2 3/4" |

| lb/in | FOR FURNITURE | FOR WALL |
|---------|---------------|----------|
| 1 SINK | 1,1 | 1,4 |
| 2 SINKS | 1,2 | 1,6 |

STANDARD COLORS



SPECIAL COLORS



RAL



NCS



ACCESSORIES

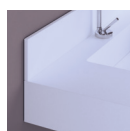
COSMOPOLITAN SOLID SURFACE DRAIN COVER INCLUDED



UNIVERSAL FREE FLOW DRAIN



Backsplash - Sidesplash



Supplied with silicone cartridge in the same color as the sink in standard and special colors. No RAL available.

Thickness 9/16"

Height 3/8" - 13 3/4"

Towel rack

In option



FAUCET HOLE AND OVERFLOW AVAILABLE ON REQUEST WITH NO EXTRA COST

WALL BRACKETS AND FIXINGS INCLUDED