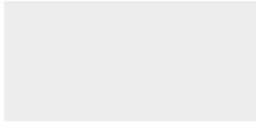


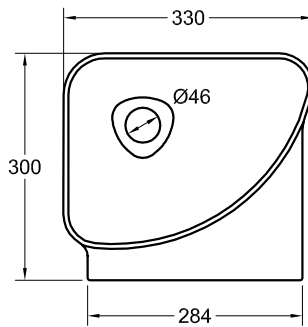
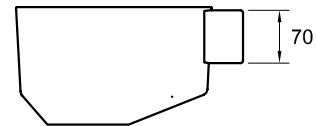
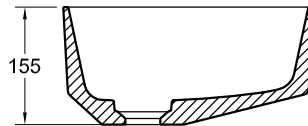
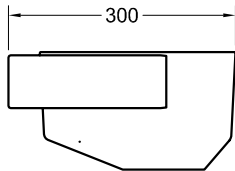
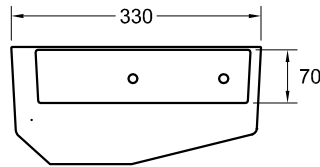


LISO
330x300x155



<p>Resin + Mineral fillers + Coating</p>	<p>5 YEARS GUARANTEE</p>	<p>Coating with excellent resistance to hydrolysis.</p>	<p>High coating UV resistant.</p>
<p>SUPERIOR HARDNESS coating (<0.01 mm according to UNE EN 14688; maximum allowed 0.1 mm).</p>	<p>Antibacterial treatment R<2 ISO 22196.</p>	<p>Consult installation manual.</p>	

Technical specifications are subject to change without notice. Dimensional tolerances +/-5mm.



TEXTURE	Kg	mm
LISO	5	330x300x155

STANDARD COLOURS



SPECIAL COLOURS



RAL



NCS



ACCESSORIES

WASTE COVER



Siphons for countertop, washbasins and basins

CHROME-PLATED BRASS SIPHON

Length 300 mm
Height 5-120 mm



BLACK BRASS SIPHON

Length 300 mm
Height 5-120 mm



TOWEL RACK

STAINLESS STEEL



COLOUR



FAUCET HOLE AND OVERFLOW AVAILABLE ON REQUEST WITH NO EXTRA COST

WALL BRACKETS AND FIXINGS INCLUDED