



Q-TEK
Solid Surface

5 YEARS
GUARANTEE

Coating with excellent
resistance to hydrolysis.

High coating
UV resistant.

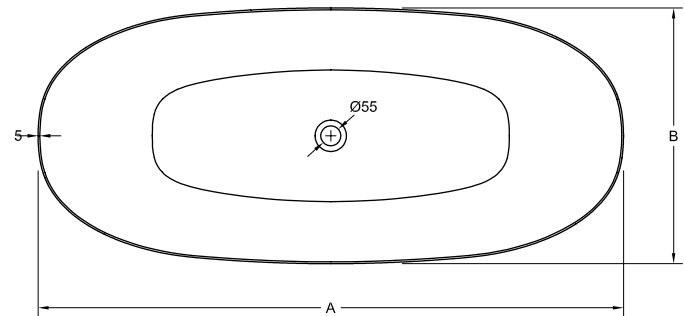
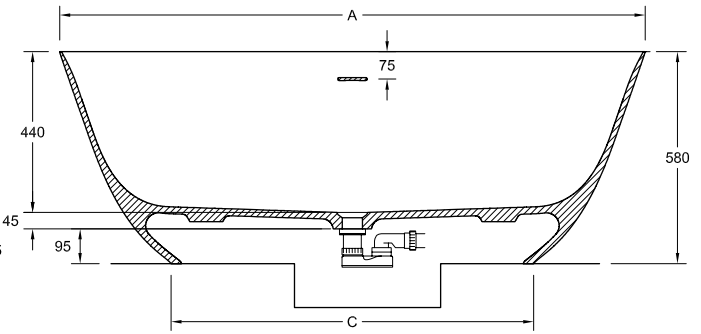
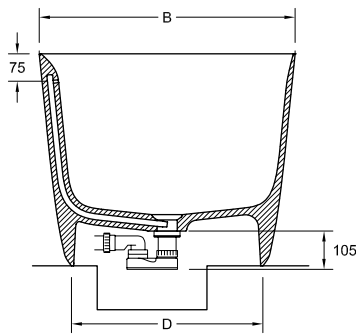
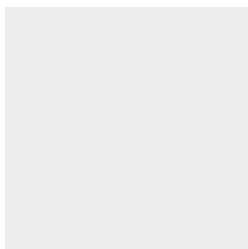
SUPERIOR HARDNES
coating.

Antibacterial treatment
R<2 ISO 22196.

Consult installation
manual.

Technical specifications are subject to change without notice. Dimensional tolerances +/-5mm.

LISO
1600x700
1700x750
1800x800



TEXTURE	Kg	L	mm
LISO	81,5	240	1600x700
LISO	87	271	1700x750
LISO	98	316	1800x800

COLOUR OPTIONS



SUPER WHITE



BI-COLOURED



SOLID COLOUR

STANDARD COLOURS



RAL



213 RAL

NCS



1950 NCS

ACCESSORIES

CLIC-CLAC WASTE WITH PLUG MADE OF THE SAME MATERIAL AND COLOUR INCLUDED



INTEGRATED OVERFLOW INCLUDED