






Q-TEK
Solid Surface




5
YEARS
GUARANTEE



Coating with excellent
resistance to hydrolysis.




High coating
UV resistant.



SUPERIOR HARDNES
coating.



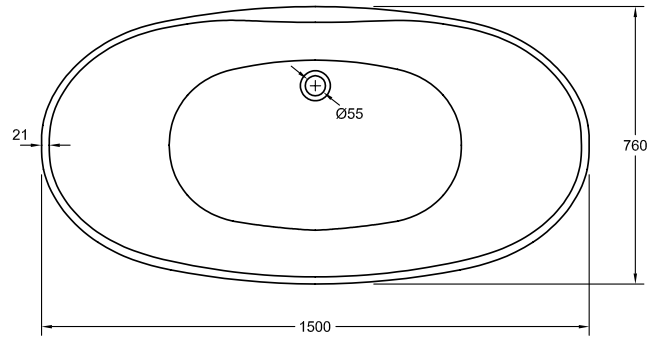
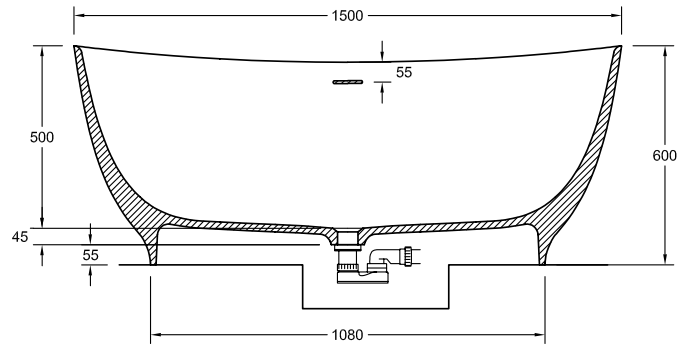
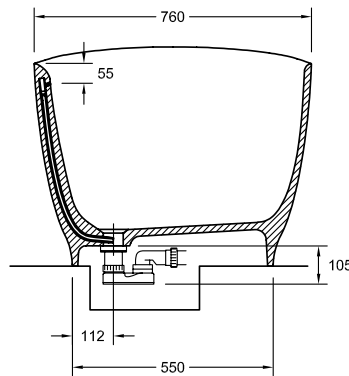
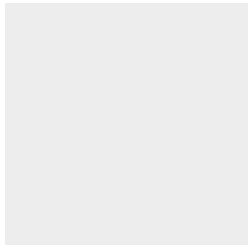
Antibacterial treatment
R<2 ISO 22196.



Consult installation
manual.

Technical specifications are subject to change without notice. Dimensional tolerances +/-5mm.

LISO
1500x760



TEXTURE	Kg	L	mm
LISO	91,5	260	1500x760

COLOUR OPTIONS



SUPER WHITE

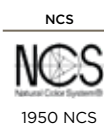


BI-COLOURED



SOLID COLOUR

STANDARD COLOURS



ACCESSORIES

CLIC-CLAC WASTE WITH PLUG MADE OF THE SAME MATERIAL AND COLOUR INCLUDED



INTEGRATED OVERFLOW INCLUDED